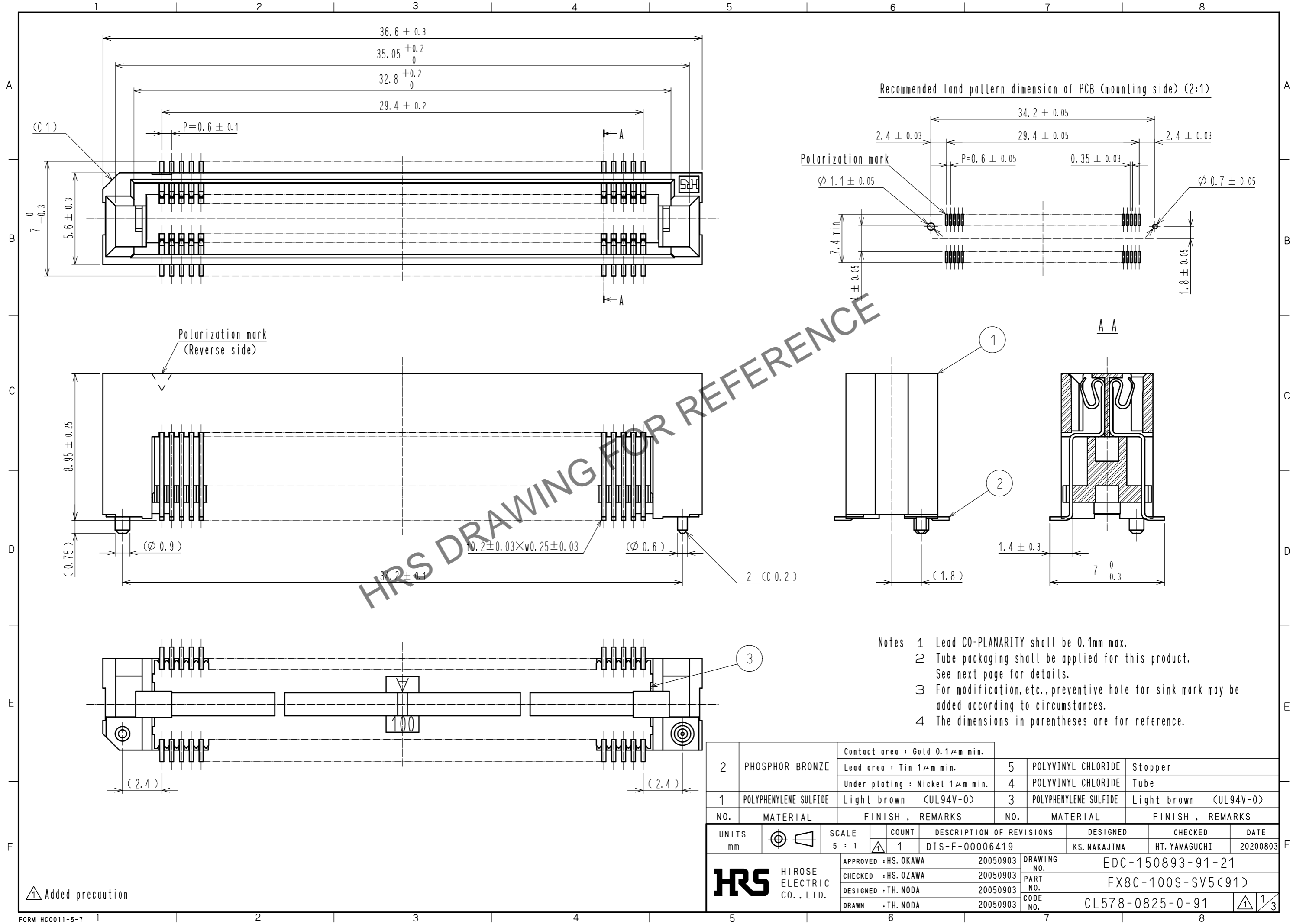
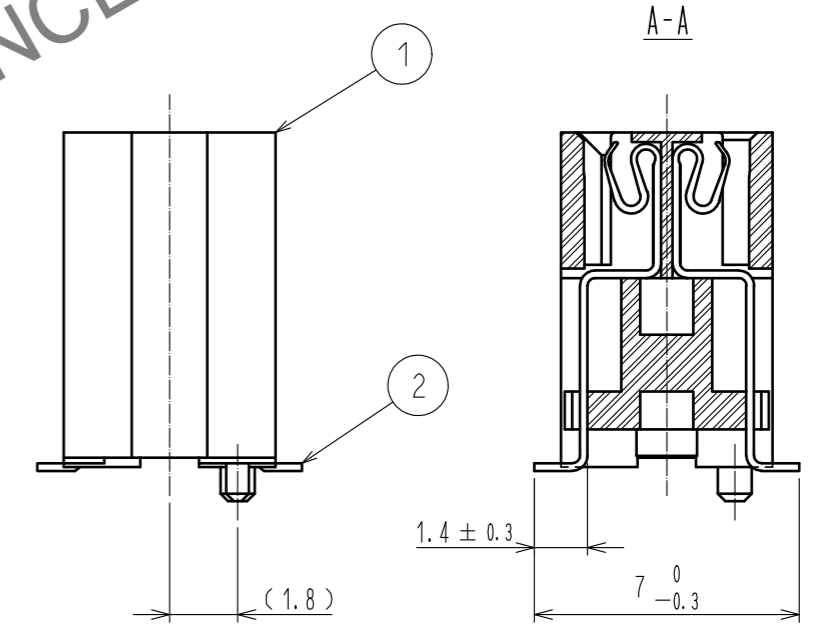
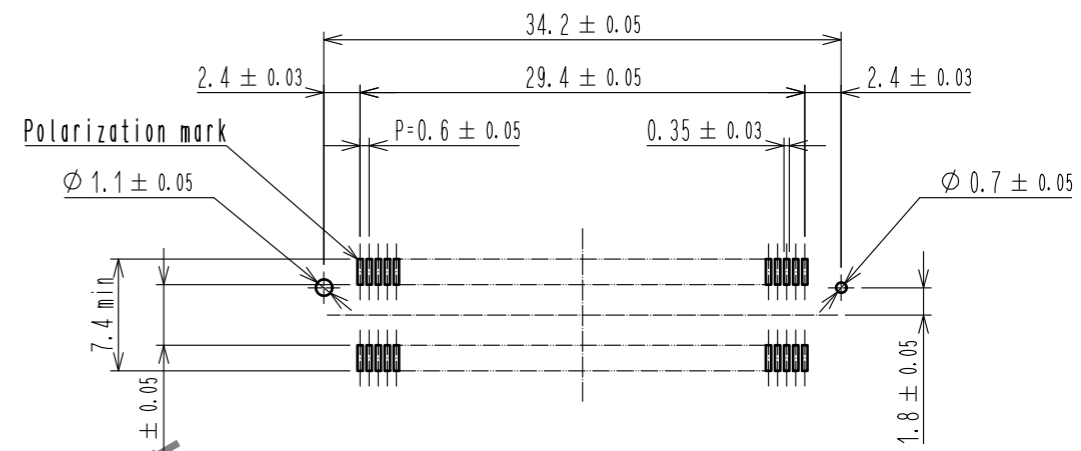


Aug.1.2024 Copyright 2024 HIROSE ELECTRIC CO., LTD. All Rights Reserved.
In case of consideration for using Automotive equipment / device which demand high reliability, kindly contact our sales window correspondents.



Recommended land pattern dimension of PCB (mounting side) (2:1)

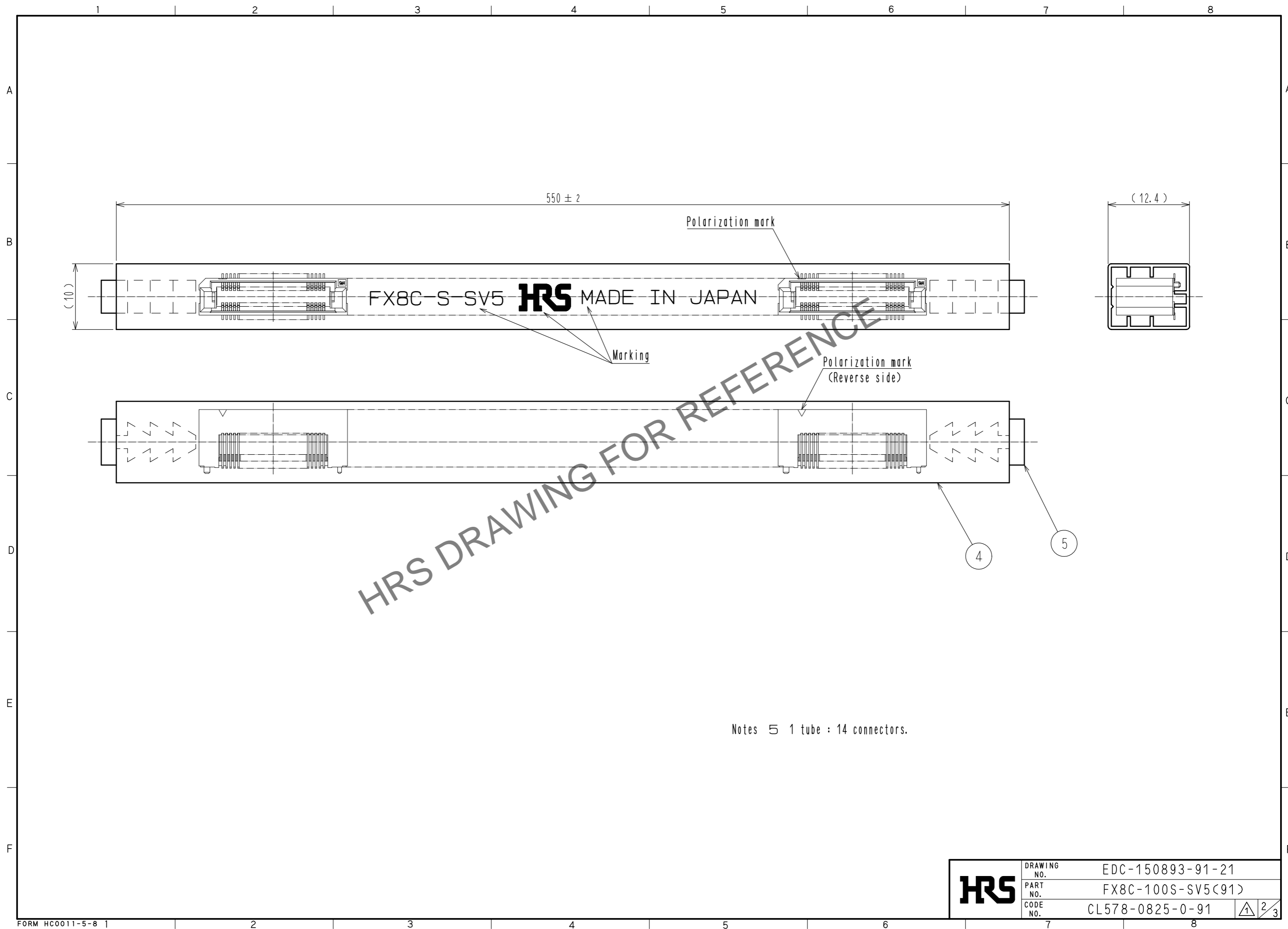


- Notes
- 1 Lead CO-PLANARITY shall be 0.1mm max.
 - 2 Tube packaging shall be applied for this product. See next page for details.
 - 3 For modification, etc., preventive hole for sink mark may be added according to circumstances.
 - 4 The dimensions in parentheses are for reference.

| 2 | PHOSPHOR BRONZE | Contact area : Gold 0.1µm min. | 5 | POLYVINYL CHLORIDE | Stopper | | |
|----------------------|-----------------------|---------------------------------|-------------|--------------------------|-----------------------|---------------|----------|
| | | Lead area : Tin 1µm min. | 4 | POLYVINYL CHLORIDE | Tube | | |
| | | Under plating : Nickel 1µm min. | 3 | POLYPHENYLENE SULFIDE | Light brown (UL94V-0) | | |
| 1 | POLYPHENYLENE SULFIDE | Light brown (UL94V-0) | | | | | |
| NO. | MATERIAL | FINISH . REMARKS | NO. | MATERIAL | FINISH . REMARKS | | |
| UNITS | ∅ | SCALE | COUNT | DESCRIPTION OF REVISIONS | DESIGNED | CHECKED | DATE |
| mm | | 5 : 1 | 1 | DIS-F-00006419 | KS. NAKAJIMA | HT. YAMAGUCHI | 20200803 |
| APPROVED : HS. OKAWA | | 20050903 | DRAWING NO. | | EDC-150893-91-21 | | |
| CHECKED : HS. OZAWA | | 20050903 | PART NO. | | FX8C-100S-SV5(91) | | |
| DESIGNED : TH. NODA | | 20050903 | CODE NO. | | CL578-0825-0-91 | | |
| DRAWN : TH. NODA | | 20050903 | | | | | |

Added precaution

Aug.1.2024 Copyright 2024 HIROSE ELECTRIC CO., LTD. All Rights Reserved.
In case of consideration for using Automotive equipment / device which demand high reliability, kindly contact our sales window correspondents.



Notes 5 1 tube : 14 connectors.

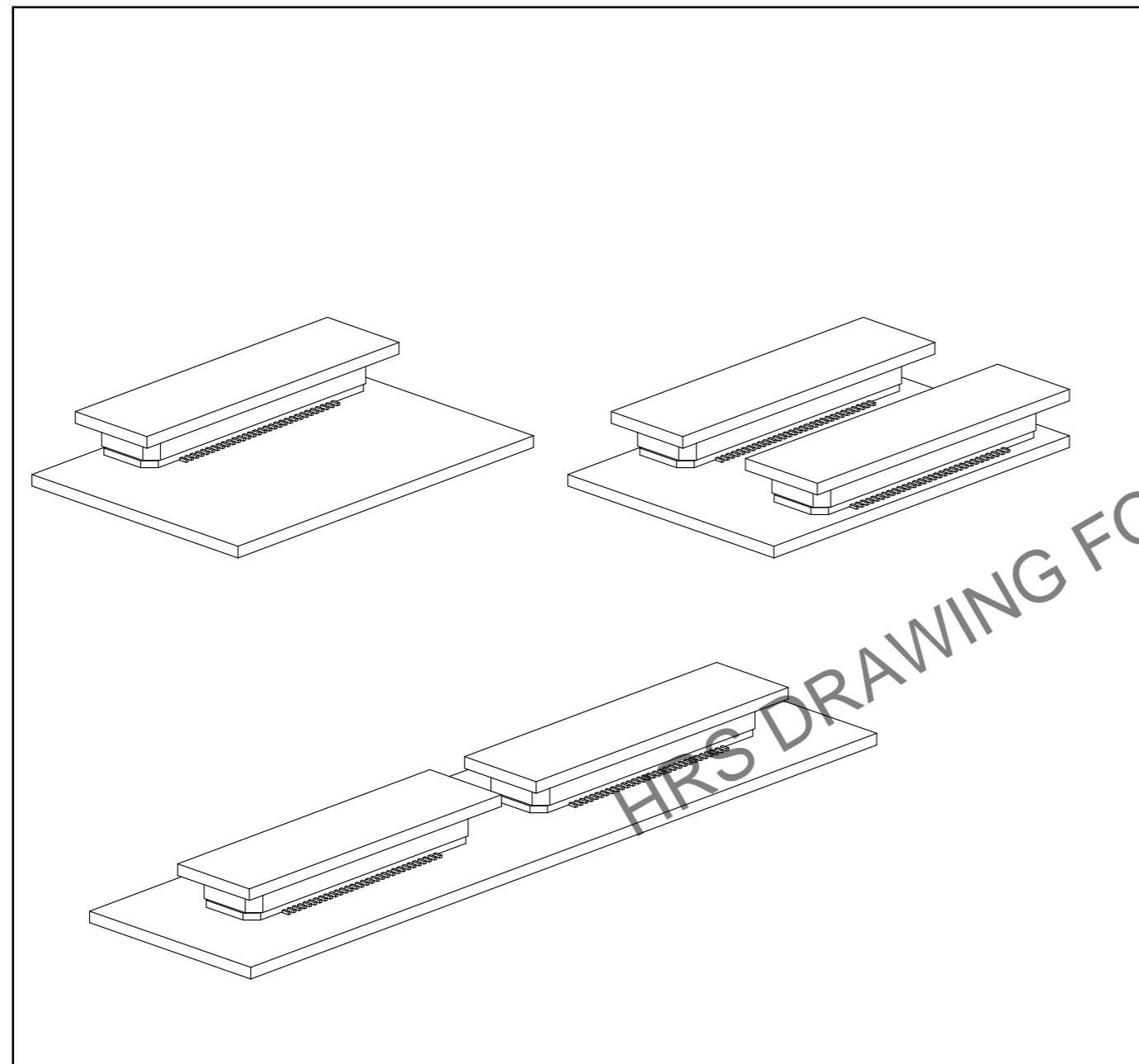
| | | |
|------------|-------------|-------------------|
| HRS | DRAWING NO. | EDC-150893-91-21 |
| | PART NO. | FX8C-100S-SV5(91) |
| | CODE NO. | CL578-0825-0-91 |

In case of consideration for using Automotive equipment / device which demand high reliability, kindly contact our sales window correspondents.

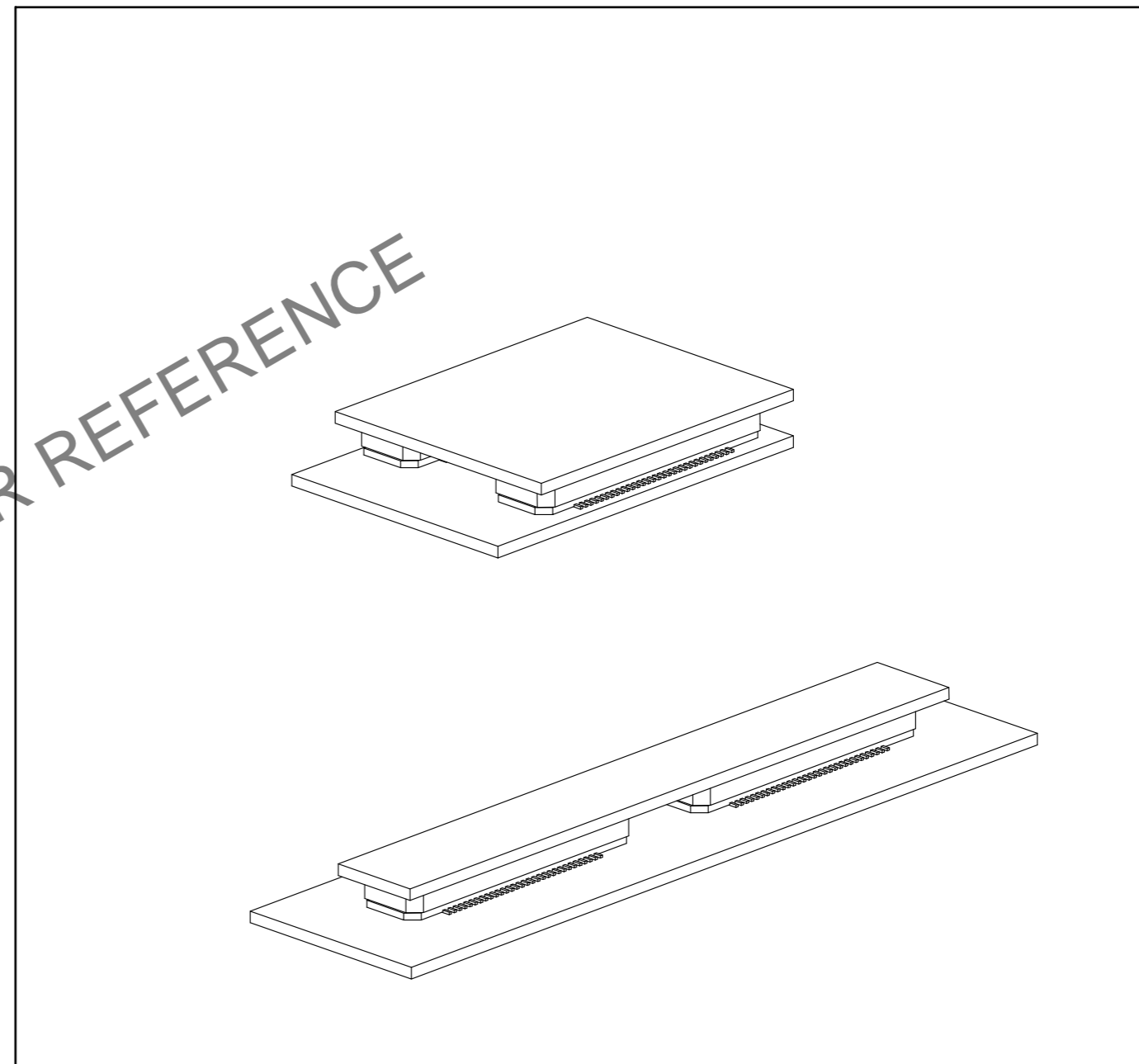
【 Precaution 】

When a board with multiple connectors mounted is mated, the connector may be damaged or deformed.
Please divide one side of the board so only one connector is mated per board.

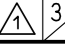
OK



NG



HRS DRAWING FOR REFERENCE

| | | | | |
|------------|-------------|-------------------|---|-----|
| HRS | DRAWING NO. | EDC-150893-91-21 |  | 3/3 |
| | PART NO. | FX8C-100S-SV5(91) | | |
| | CODE NO. | CL578-0825-0-91 | | |
| | | | | |